

# Shielding Curtains

customized



The constant digitalization process and further development of wireless networks is leading to a growing number of signals being overlaid on top of each other. Signals are disrupted and error messages are becoming more frequent. The Shielding Curtains offer a solution by guaranteeing controlled wireless communication.

---

**General Information**

Shieldex fabrics offer a high degree of shielding against electromagnetic waves as their surface has undergone multiple metallization processes. The use of RFID in warehouse management is guaranteed to boost efficiency by minimizing errors and thus considerably reducing costs. V Technical Textiles fabricates lightweight, easy to use RFI, EMI, & RFID Shielding Curtains out of the Shieldex line of conductive fabrics. The Shielding Curtains are mobile and can be installed in a wide range of areas. Shielding Curtains can be delivered in a ruggedized form for adverse environments.

**The size** as well as the fabric and configuration of the Shielding Curtains will be designed related to your requirement

---

**Technical Specifications**

**Versions**

Shielding Curtains

**Description of material**

Dependant on the series, curtains can be one to more layers thick with various combinations of Shieldex conductive textiles, also containing fire resistant capabilities and ruggedized Cordura outer layers.

**Size**

All curtains are custom-made to required size

**Shielding effectiveness**

Average up to 95 dB from 30 MHz - 18 GHz

All Shieldex fabrics used were measured in accordance with IEEE 299/2006

**Ruggedized options**

Fire retardant

Water-, oil and dirt resistant

Clean Room compatible to A300 (ISO6)

---

**Physical Address**

V Technical Textiles, Inc  
320 South Main Street  
Newark, NY 14513

**Mailing Address**

V Technical Textiles, Inc  
4502 State Rt. 31  
Palmyra, NY 14522

**Contact**

Phone: (315)-597-1674  
Fax: (315)-597-6687  
info@vtechtextiles.com

**USA Patent**

5,908,043 & 6,068,009

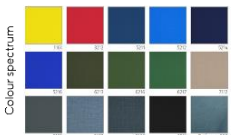
**Canada Patent**


CA2129432

**Delinova® FR / 200**

- Flame retardant to DIN 4102/B1 (Delinova® FR)
- Extra durable
- Water-, oil and dirt resistant
- High light fastness
- Weatherproof


Colour spectrum






**Layers**




2 layers



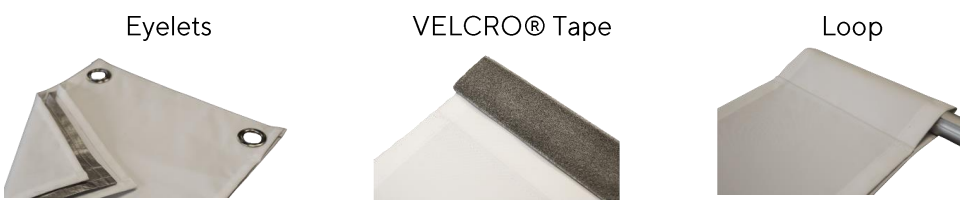
3 layers



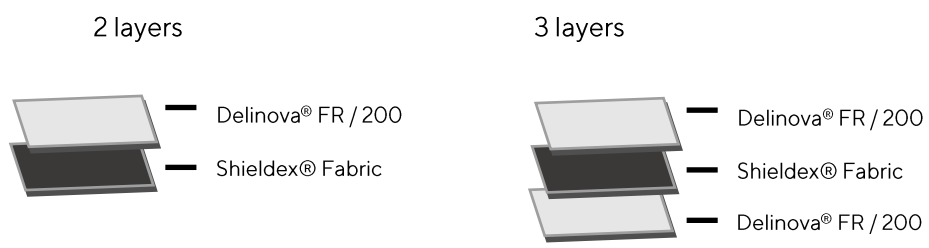
**Mounting Options**

- 1  Loop
- 2  Eyelet
- 3  VELCRO® Tape

**Mounting Options** There are many ways to install the Shielding Curtains. Depending on the requirements, the mounting can be designed as required.



**Layers** You can choose from different layers.

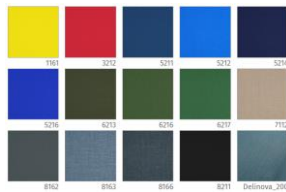


**Delinova® FR / Delinova® FR / 200 is 200**

- Flame retardant to DIN 4102/B1 (Delinova® FR)
- Extra durable

- Water-, oil and dirt resistant
- High light fastness
- Weatherproof

You prefer a special or different color? No problem at all with the Delinova® color spectrum. Special colors upon request.



**Benefits**

- Warranty
- Made in the US
- Cost effective
- Flexible and light
- Hand- and custom- made
- In-house studio

## Did we spark your interest ?

Please do not hesitate to contact us at any time.