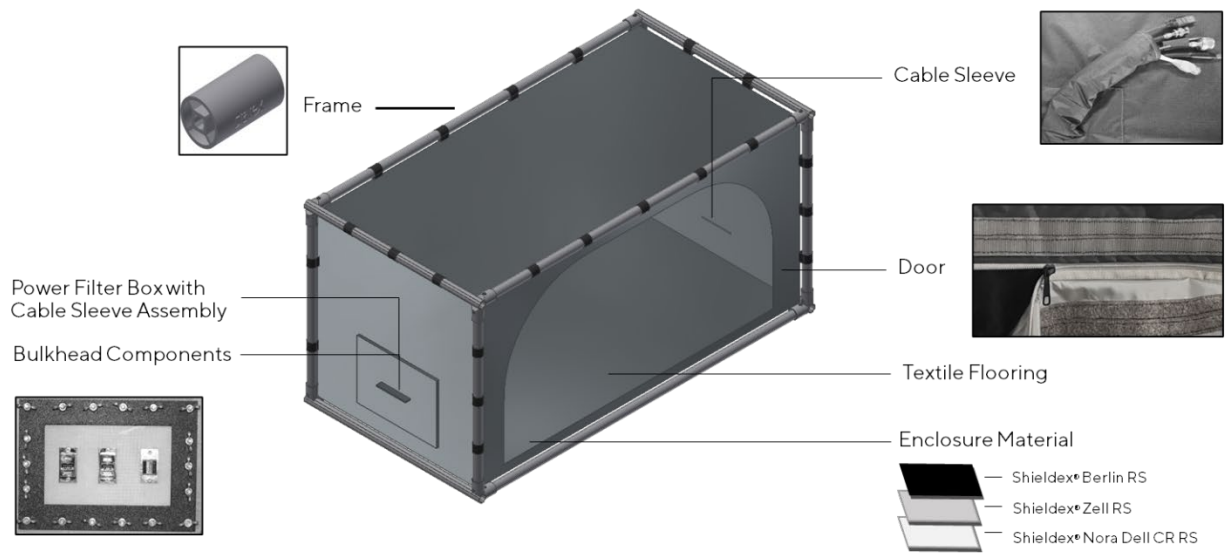


Technical Application Guide

8000T Series Portable RF Shielded Benchtop



V Technical Textiles, Inc. 8000T Series Portable RF Shielded Benchtop Enclosures are the best high-performance RF shielding structures. The 8000T series is designed as a premium, highly durable, cost-effective alternative to solid metal boxes. The 8000T series is designed for improved performance in the microwave frequency range.

General Information

VTT's enclosures are available with many valuable options such as doors, waveguides, ventilation systems, bulkheads, power filter boxes, and frames.

VTT's standard Benchtop size is 2' x 4' x 2' and can be custom fabricated to any size or configuration the customer may need such as doors, ventilation systems, power panels, filter boxes, and many more.



VTT's 8000/8000T Series are **Clean Room compatible** to A300 (ISO6). Used by NASA.

Technical Specification

Material

3-layer Shieldex® Nora Dell RS CR, Shieldex® Berlin RS and Shieldex® Zell RS

Door (more options available)

Three-layer benchtop door with conductive zipper and Velcro® Hook and Loop closure

Included

Enclosure
Cable Sleeve
Door

Optional

Floor
Endoscope
Power Panels
Ventilation
Filter Boxes
Frame
Lighting
Absorbers

Shielding Effectiveness

Average 80 dB from 0.03 GHz to 18 GHz

Abrasion Resistance fabric

1,000,000 cycles to electrical performance breakdown

Address

V Technical Textiles, Inc
320 South Main Street
Newark, NY 14513

Contact

Phone: (315)-597-1674
Fax: (315)-597-6687
info@vtechtextiles.com

USA Patent

5,908,043 & 6,068,009
Canada Patent
CA2129432

Applications

RF Shielding chamber for:

- Wi-Fi
- Bluetooth
- EMC test labs
- Aerospace
- Automotive Equipment
- In-Situ testing for high-level radiated RF immunity



Used by major companies in the aerospace, automotive industries, and military field like

- NASA
- Amazon
- Navy

Clean Room compliant

Advantages

- Warranty
- Made in USA
- Cost effective
- Portable and space-saving
- Custom sizes available
- In-house studio

Services (optional)

- Installation service (setup & dismantling)
- Retrofit service
- Repair service
- Rental service

Did we spark your interest ?

More information can be found on our detailed data sheets.
Please do not hesitate to contact us at any time.